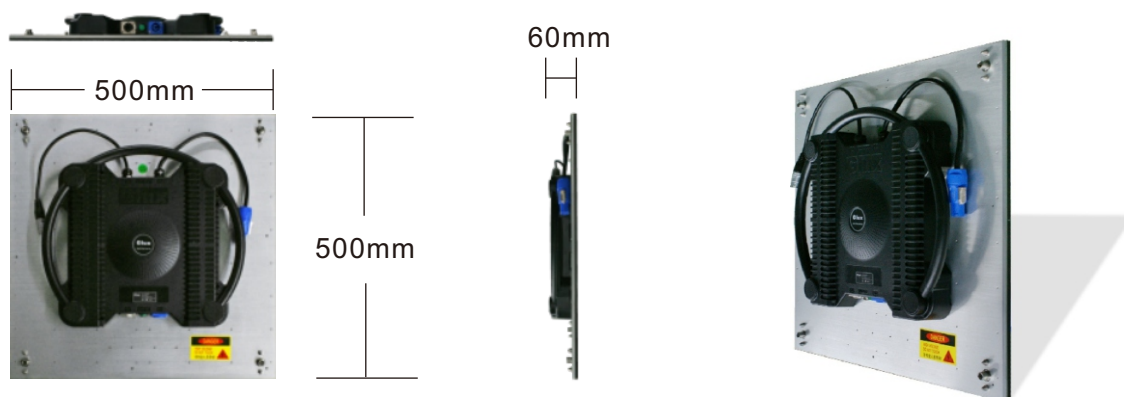


SEfl Series

A creative & state of the art LED ground plate you can walk on

- ◆ Press to Impress: Ideal for both indoor and outdoor applications of LED stage floors
- ◆ Die-cast aluminum modules can seamlessly create even largest floor configurations
- ◆ DigiFloor modules are able to handle weights of up to a small car
- ◆ Specialized filtering processes eliminate moiré patterns (image artifacts)
- ◆ 16 bit grey scale processing & pixel correction techniques ensure image quality



Glux LED Display SEfl series				
Parameter	Type	SEfl 6	SEfl 10	SEfl 20
Pixel Pitch (mm)		6.25	10.41	20.83
Pixel Density (dots/m ²)		25600	9216	2304
Brightness (cd/m ²)		5000	3000	1500
Color Temperature (after calibration) (K)		6500	6500	6500
Module Size (W x H x D) (mm)		500 x 500 x 60	500 x 500 x 60	500 x 500 x 60
Weight (kg/panel)		8	8	8
Weight (kg/m ²)		32	32	32
LED Type		SMD 3in1	SMD 3in1	SMD 3in1
LED Chip		Epistar	Epistar	Epistar
Horizontal / Vertical Viewing Angle (°)		H140 / V140	H140 / V140	H140 / V140
Recommended Viewing Distance (m)		≥6	≥10	≥20
Contrast		2000:1	1500:1	1000:1
Refresh Rate (Hz)		1800	3000	8000
Grey Scale (bit)		R/G/B 12 / 16	R/G/B 12 / 16	R/G/B 12 / 16
Frame Rate (Hz)		50/60	50/60	50/60
Life Time (h)		≥50000	≥50000	≥50000
Protection		IP43/IP65	IP43/IP65	IP43/IP65
Power Supply		Dual Power Supply	Dual Power Supply	Singular Power Supply
Working Voltage (V)		AC 110~240	AC 110~240	AC 110~240
Max Power Consumption (W/m ²)		800	800	800
Avr Power Consumption (W/m ²)		260	260	260
Working Temperature		-25 - 60°C	-25 - 60°C	-25 - 60°C
Working Humidity		10% - 95%	10% - 95%	10% - 95%
Drive Mode		1/5	1/3	Static
Cabinet Material		Aluminium alloy	Aluminium alloy	Aluminium alloy
Video Signal Input Interface		DVI/HDMI/HDSDI	DVI/HDMI/HDSDI	DVI/HDMI/HDSDI
Weight capacity (kg/cm ²)		≥10	≥10	≥10

Glux Int'l Sales: A4, OCT Eastern Industrial Zone, Shenzhen, China
 Tel: +86-755-88866999 Fax: +86-755-86232733
 www.glux.cc www.glux.com.cn

