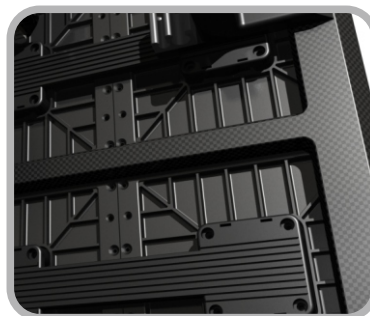


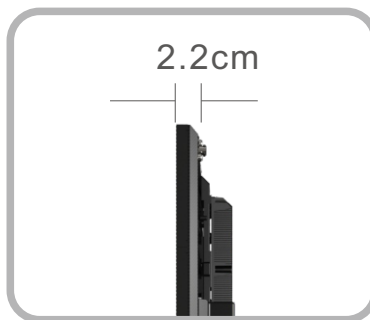
Glux visual products

ODsn Series

↙ The quality is in the details
Using future technology, today.



◆ Carbon fiber construction



Ultra-thin design & lightweight
Only 28kg/sqm



6000Nits Regulate



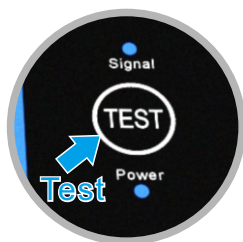
Usage Status Display



Protective Buffer



International
Protection Rating IP65



Test Button



45 Degree Curved Frame
for 90 Degree Installation



◆ Modular design for
convenient maintenance

Glux Int'l Sales: A4, OCT Eastern Industrial Zone, Shenzhen, China

Tel:+86-755-88866999 Fax:+86-755-86232733

www.glux.cc/en www.glux.com.cn/en

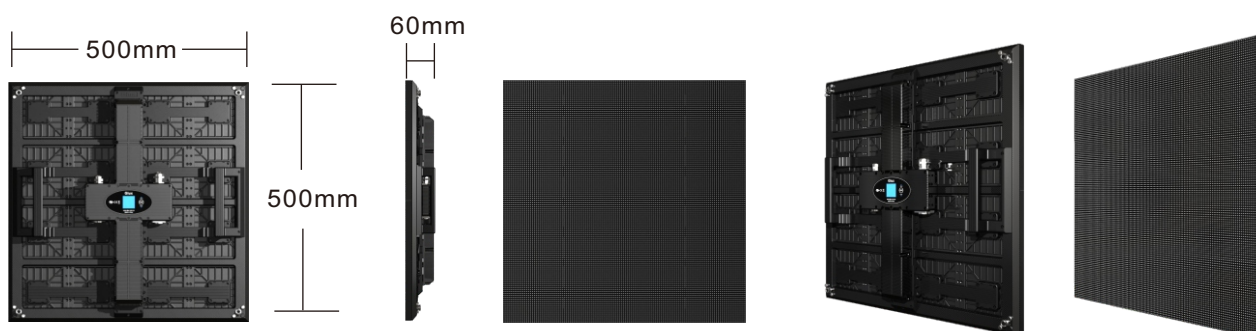


FC CE RoHS

ODsn Series New

All-weather application LED Display

- ◆ SMD 3in1 LEDs, suitable for indoor and outdoor application.
- ◆ Fully compatible with indoor display, ultra low brightness display without grayscale reducing.
- ◆ Carbon Fiber frame for super thin and lightweight style with ultra-high strength tensile force and high mechanical stability.
- ◆ Easy, quick and flexible installation for fast assembly and maintenance, suitable for different applications and uses.
- ◆ Dot by dot calibration guarantees image uniformity.
- ◆ Double-sided 45 degree curved angle design, suitable for 90 degree assembly.



Glux LED Display ODsn series				
Parameter \ Type	ODsn3A	ODsn5A	ODsn7A	
Pixel Pitch (mm)	3.9	5.2	7.8	
Pixel Density (dots/m ²)	65536	36864	16384	
Brightness Max (cd/m ²)	≥6000	≥6000	≥6000	
Grey Scale (bit)	16bit	16bit	16bit	
Refresh Rate (Hz)	≥4000	≥4000	≥4000	
Frame Rate (Hz)	50/60	50/60	50/60	
Contrast	≥1000:1	≥1000:1	≥1000:1	
Color Temperature (after calibration) (K)	6500	6500	6500	
Horizontal / Vertical Viewing Angle (°)	H160/V160	H160/V160	H160/V160	
Module Size (W x H x D) (mm)	500x500x60	500x500x60	500x500x60	
Weight (kg/panel)	≤7	≤7	≤7	
Protection	IP65	IP65	IP65	
Power Supply	Dual power supply	Dual power supply	Dual power supply	
Working Voltage(V)	AC110-240V/50/60Hz	AC110-240V/50/60Hz	AC110-240V/50/60Hz	
Max Power Consumption (W/m ²)	≤1200	≤1200	≤1200	
Working Temperature	-25C°/45C°	-25C°/45C°	-25C°/45C°	
Cabinet Material	Carbon fiber	Carbon fiber	Carbon fiber	
Max Hanging (vertical)	≥1000kg	≥1000kg	≥1000kg	
Signal Cable	CAT5-1000M	CAT5-1000M	CAT5-1000M	
Video Signal Input Interface	DVI/HDMI/HDS DI	DVI/HDMI/HDS DI	DVI/HDMI/HDS DI	
Life Time (h)	≥75000	≥75000	≥75000	